



ID-CRA

**Digital telephone communicator.
Analogue Series ID**

DESCRIPTION

The communication module ID-CRA is connected to the analogue Notifier ID3000, ID2000 and ID50 to maintain security of the fire control and detection system by sending any event to a central station which is monitored permanently.

The system uses the Contact-ID protocol, used by most Alarm Central Stations. Thus, the system reports any detailed event just by setting the account code and the central station telephone.

Any change of state of the system or communications failure with the central station or phone line is reported locally or remotely. You can set or cancel status messages individually.

The ID-CRA module configures the system parameters through a PC (Windows terminal) with direct connection via RS232 port or, remotely, by using a standard modem. Moreover, two account codes can be set for two central stations. Thus, the second phone number can be used for receiving a second call simultaneously to the first call or as backup in case of communication failure in the first number.

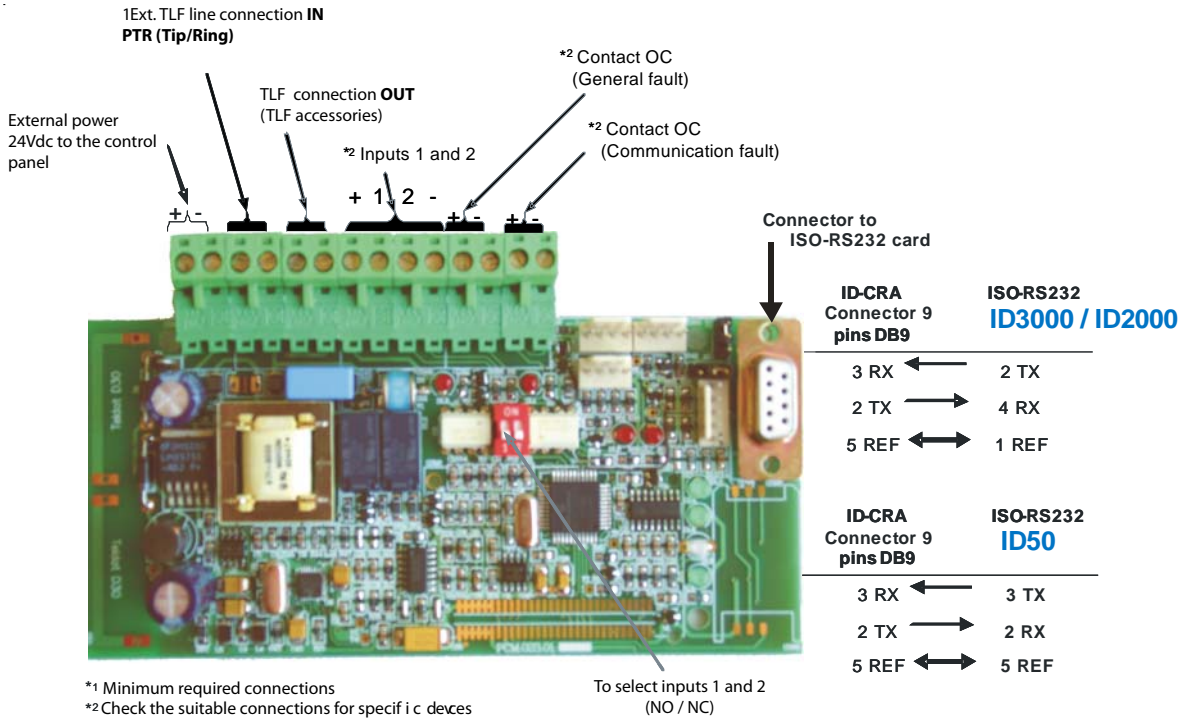
The model with GSM option incorporates a communication module for mobile line with SIM card as a backup third line or to establish communications in the absence of the telephone line.

FEATURES

- Remote Communicator telephone/GSM for ID3000, ID2000 and ID50 control panels.
- The messages of the control panel are sent automatically to the Central Station.
- Communication format: Contact ID.
- Configuration of 2 account codes for 2 central stations (optional).
- Messages can be sent in general or detailed format and filtered by event type (by zones or individual points).
- Test function of time line at intervals of configurable periods of time.
- Failure on the control panel by communication failures of untransmitted events.
- Memory of 50 events log.
- RS-232 port to configure the system locally.
- 2 inputs to send 2 customized events and 2 fault outputs.
- 2 relay output circuits for general fault and communications fault.
- Removable terminales.
- External 24 Vdc power supply is required.
- An ISO-RS232 card must be installed in ID3000.
- Meets the technical specifications for Interfaces Esp Telefónica SAU (ITE-CA-001-V05).
- CE marking.

Information in this document is subject to change without notice.

CONNECTIONS



SPECIFICATIONS

Power Supply	From ID3000, ID2000 and ID50 Aux. Power connector (External 24Vdc optional)
Quiescent consumption	30 mA (35mA with GSM Modem)
Consumption in communications (with GSM)	70 mA
Modem	RTC with call back feature to a predefined telephone number.
Shared line (TEL line output)	Output for extension telephone RTC in case of alarm. Sequence option for «picked up»: 1 dial with 2 rings and redial before 30sec.
CRA communication protocol	Contact-ID (SIA DC-05-1999.09/14085) Configurable by event (Optional: general or detailed)
Password for communicator	
Inputs 1 and 2	NO/NC configuration by switch 1 and 2 Activation 0V (NC) or 5 a 24V (NA)
Fault outputs	Open collector output (OC) 1: general fault; Open collector output (OC) 2: Communication fault (not received by central station)
Indicator leds	DL1 Red -Activation of Input 1 DL2 Red - Activation of Input 2 DL3 Green - Power DL4 Red -Modem activated DL6 Red - Processing message DL7 General fault led (Output 1) DL8 General fault led (Output 2)
CRA fault indication	Fault message sent to central station (Ext. 24VDC required)
Supervision of Control panel connection	Every 30 seconds or with new event
CRA communication test	Options: Without test, every 1 hour, 2 hours, every 1 day or every 1 month. Counter begins when the CRA is powered.
Environmental temperature	Power on: 5° to 35°C. Off: -20° to 60°C
Relative Humidity	Power on: 8% to 80%. Off: 5% to 90%.
Distance between fixing holes	54 x 120 mm
Dimensions in mm	15 (height) x 140 (length) x 65 (width)