

## RP1r-Supra 1 Risk Extinguishing Gas Control Panel



### EasyFix

#### Product Overview

The RP1r-Supra gas control panel has been designed to efficiently manage the automatic release sequence of any extinguishing system of gas, CO<sub>2</sub> (according EN12094:1/2003 requirements).

The RP1r-Supra compact control panel includes: a switched 65W power supply with battery charger; three input zones to connect directly to two-wire conventional detectors and external release call point; two monitored and electronically protected output circuits and two sounder outputs with different frequencies to identify each of the extinguishing stages (preactivated mode, activated mode, hold/abort and soak).

The front panel includes a 4.3" colour touch screen which allows the user to move easily through the different events (alarm, fault, disabled) and visualize the real time event log and the input/outputs voltage levels; 44 status leds, 2-digit countdown timer, a GAS sign and a keyswitch for keyboard access.

There are circuits for low and flow pressure monitoring and open door control; input circuits for hold and release abort call points and seven status relays (preactivated, activated and extinguishing release in process, general fault output and operating mode: disabled, manual or automatic).

The RP1r-Supra provides two optional RS232 (TTL) and 2 USB ports and a I<sup>2</sup>C bus for system remote management, TG graphic software connection and event log visualization.

#### Features

- Compact extinguishing control panel with 32 bits microprocessor.
- Easy configuration from the keyboard and 4.3" TFT screen (480 x 272 pixels).
- 3 conventional zones: 2 for detectors and a third one which can be configured for detectors or call points.
- Inputs for abort and gas release call points and hold pushbutton.
- Release delay which can be configured from 0 to 60 sec. and verification time (before activating the sounders) from 0 to 10 min.
- Delays can be disabled from the keyboard (optional).
- Input circuits for flow and low pressure and open door monitoring.
- Two release circuits. The second one can be used independently for preactivation.
- Countdown timer display which indicates the seconds left for release.
- 44 status leds to quickly identify events.
- 7 relays for status indication and operating mode.
- Operating mode: Automatic, Manual and Disabled.
- Digital input for remote action such as: system reset, evacuation, silence or delay on/off.
- Plug-in terminals for all connections.
- Software for status visualization from the PC with remote connection option.
- Certified according to EN54-2/4:A2/2006 and EN12094/1:2003.

## Accessories

VSN-232	RS-232 communication module. It is supplied with PK-RP1r software to visualize the control panel status from the PC. It is assembled into the RP1r-Supra.
VSN-4REL	4-relay module. Each relay can be configured independently and linked to 12 activation matrices. It is assembled into the RP1r-Supra.
ITAC	Communication module to transmit information from each zone or extinguishing control panel input to Notifier ID Series control panels. It is assembled into the integrated device and it is power supplied from it.
TG-IP-1	Device to readdress the RS232 port series from the control panel to the TG graphic software, through IP protocol. Compatible with Ethernet networks at 10 and 100Mhz.
TG-RP1r	Control panel graphic management. This software allows the user to reset, silence sounders, disable/enable the 3 zones, to know the status of all the extinguishing control panel inputs by visualizing the RP1r-Supra keyboard in the PC screen.
OPC-RP1r	Software based on OPC server standard which meets the Data Access 1.0 and 2.0 protocol. The OPC-RP1r software is designed for the integration of Notifier Extinguishing control panels (RP1r series) in any managing system or SCADA with OPC requirements.

## Technical specifications

### Electrical specifications

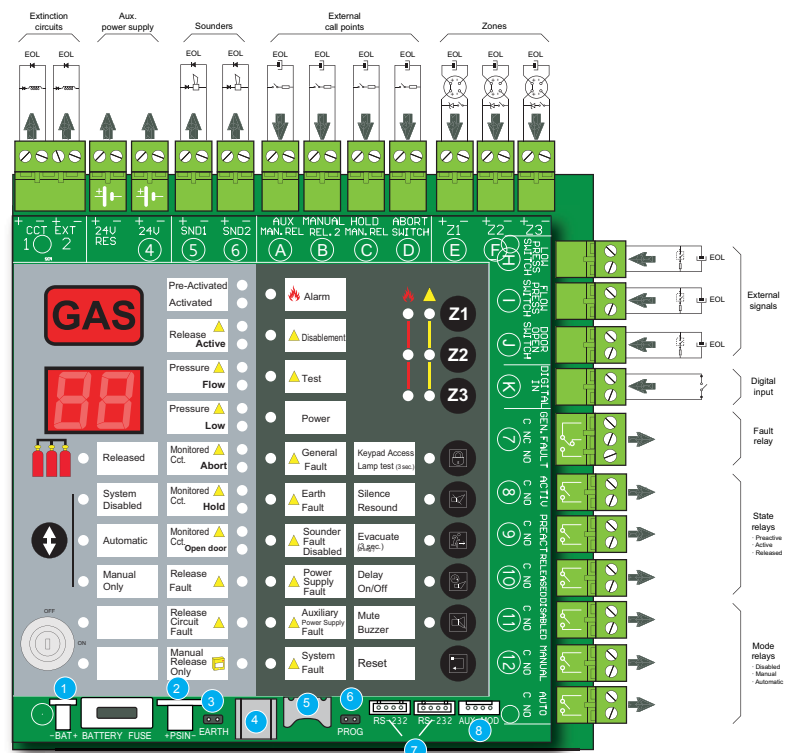
Power supply:	110/230Vac; 50/60Hz.
Standby current:	125mA max.
Total max. current:	2.4Amp
Batteries:	2 x 7A/h
Battery load current:	300mA max.
Battery fuse:	F4AL 250V (4Amp)
2 monitored sounder outputs:	2 x 250mA
2 aux. power supply outputs:	2 x 250mA (resettable and non-resettable)
2 release circuits:	1Amp max. each circuit

### Environmental specifications

Operating temperature:	de -5°C a +40°C
Operating humidity:	95% max. RH
Panel sealing:	IP30
<b>Mechanical specifications</b>	
Dimensions in mm:	381 (W) x 353 (H) x 123 (D)
Weight (without/with batteries):	4 Kg / 9.3 Kg
Plug-in Terminals:	2,5 mm <sup>2</sup> max.
Colour:	RAL 7021
Material:	ABS V0
<b>Designed in compliance with:</b>	EN54-2/4:A2/2006 & EN12094/1:2003
CPD Certificate:	1134-CPD-045

## General wiring diagram

- 1 Battery connection
- 2 Power supply connector
- 3 Inhibition monitoring earth jumper
- 4 USB port
- 5 Lithium battery location
- 6 Access level 3 jumper
- 7 RS-232 communication port
- 8 I<sup>2</sup>C auxiliary communication port



**NOTIFIER**  
by Honeywell